

## ER-FOG-50 Small Size FOG Gyroscope

ER-FOG-50 Small size FOG gyroscope is an important angular rate sensor which has the characteristics of long life, fast start up, high precision, lower power consumption, wide dynamic range and so on. It also plays an important role in aerospace, weapon navigation, platform stabilizer, UAV and other fields.

### Application

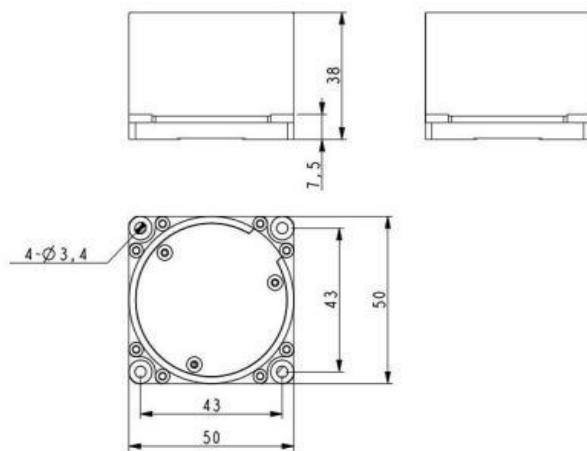
Small IMU、INS、 missile seeker

Servo tracking、 photoelectric pod、 drone

### Specifications

Item	Unit	ER-FOG-50A	ER-FOG-50B	ER-FOG-50C	ER-FOG-50D
Measuring range	°/s	-500~+500	-500~+500	-500~+500	-500~+500
Bias stability	°/h	≤0.2	≤0.5	≤1.0	≤2.0
Bias repeatability	°/h	≤0.2	≤0.5	≤1.0	≤2.0
Random walk coefficient	°/√h	≤0.02	≤0.05	≤0.1	≤0.2
Scale factor non-linearity	ppm	≤50	≤80	≤200	≤200
Scale factor repeatability	ppm	≤50	≤80	≤200	≤200
Scale factor asymmetry	ppm	≤50	≤80	≤200	≤200
Start Time	s	≤1	≤1	≤1	≤1
Bandwidth	Hz	>200	>200	>200	>200
Power supply	V	-5~+5	-5~+5	-5~+5	-5~+5
Power	W	≤ 18	≤ 18	≤ 18	≤ 18

Operating temperature	°C	-40~+65	-40~+65	-40~+65	-40~+65
Storage temperature	°C	-45~+85	-45~+85	-45~+85	-45~+85
Vibration	/	2g (RMS), 20Hz~2000Hz			
Shock	/	40g, 1 ms	40g, 1 ms	40g, 1 ms	40g, 1 ms
Output method	/	RS-422	RS-422	RS-422	RS-422
Connector	/	J30J-15TJL/Color line			
Dimensions	mm	Φ50×38	Φ50×38	Φ50×38	Φ50×38



Note: Unfilled dimensional tolerances are performed in accordance with GB/T1804-2000 Class C.

Figure 1 ER-FOG50A, B, C, D type fiber optic gyro dimensions