

ER-BD/ERBS serious non-contact selsyn-type electrical motor



ERBD/ERBS non-contact selsyn-type electrical motor

This series of selsyn is mainly used for angle of long-distance transmission, reception and change, in synchronous transmission, follow system and computer solutions such as device, there is no mechanical connection between transmitter and receiver transfer the way of angular displacement, to achieve automatic Angle, position, distance and instructions instructions and other purposes.

Using environment:

Environmental temperature: $-40\sim+55^{\circ}\text{C}$

$-40\sim+55^{\circ}\text{C}$ (ERBDS -404P)

Relative temperature: $20\pm 5^{\circ}\text{C}$ condition it can up to $95\pm 3\%$

$32\pm 2^{\circ}\text{C}$ condition it can up to $95\pm 3\%$ (ERBDS -404P)

Vibration: Amplitude 1.4mm, Frequency 10Hz

Frequency 10~70Hz.

Acceleration 2~3.5g (ERBDS -404P)

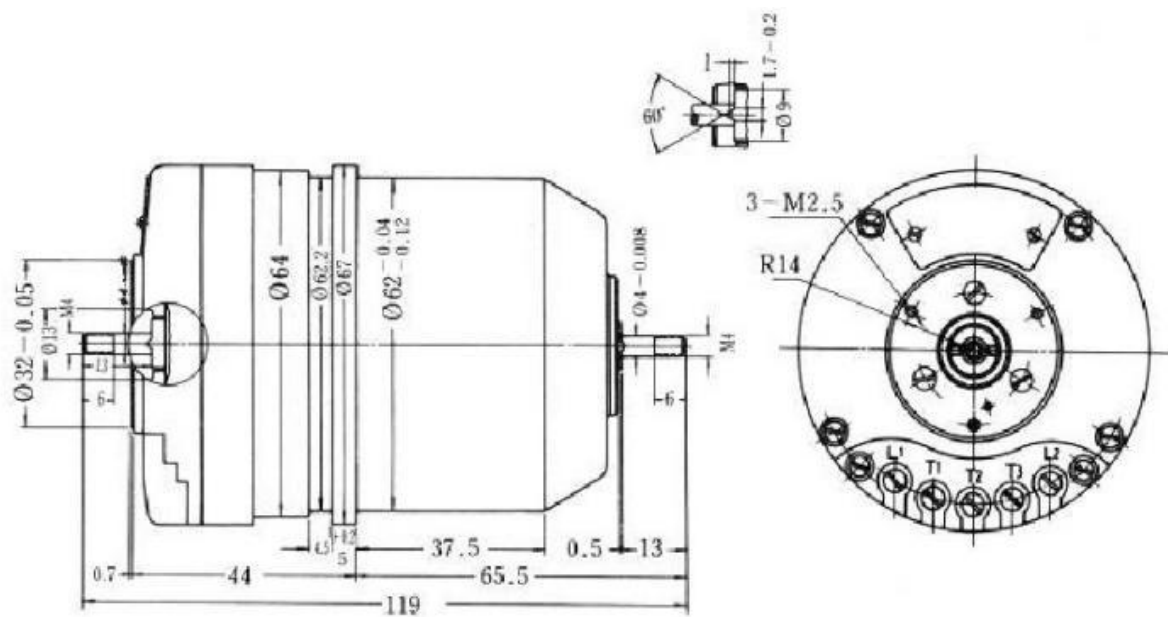
Impact: 80 times/min, acceleration 7g, ERBDS -404P acceleration is 20g.

BD S -500/DBS-500no requirement about impact.

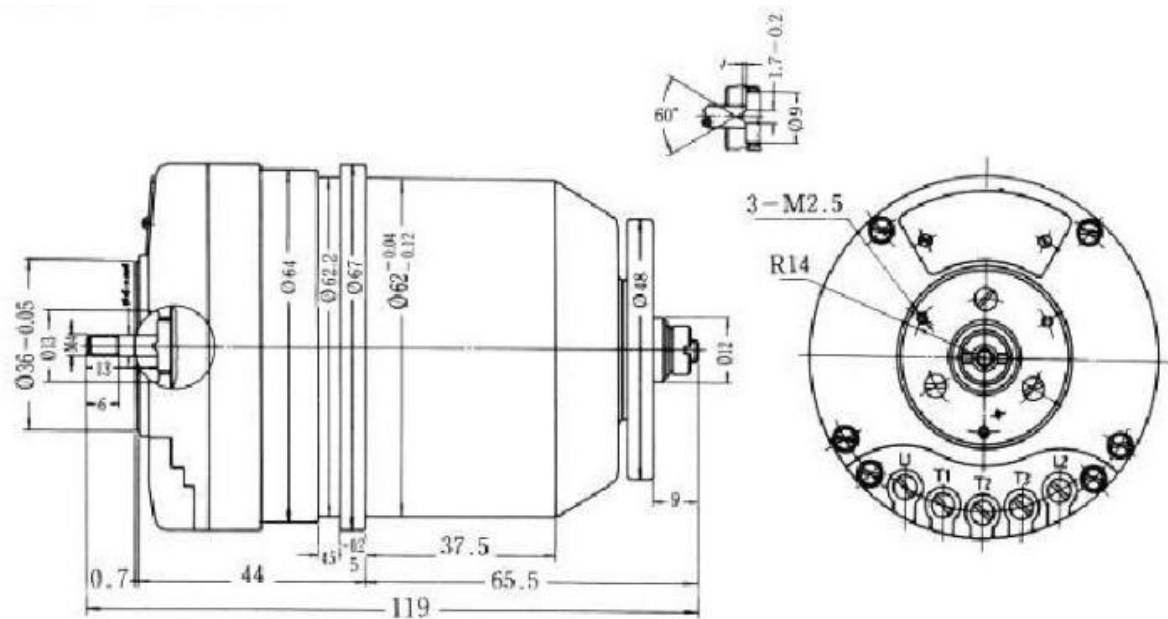
Model	exciting voltage (V)	Frequency (Hz)	Exciting current (A)	Consumed power (W)	Secondary voltage (V)	Maximum synchronizing torque		Torque gradient		Damping time (S)	Weight (KG)
						(g.cm)	(mN.m)	(gN/degree)	(mN.m/degree)		
ERBD-404A	110	50	0.4	11	49	-	-	-	-	-	-
ERBD-404B	110	50	0.4	11	150	-	-	-	-	-	-
ERBS-404A	110	50	0.4	11	49	240	23.5	4.5	0.441	2	1.30
ERBS-404B	110	50	0.4	11	150	210	20.6	4.0	0.392	2	1.30

ERBS-405	110	50	0.09	2	35	-	-	-	-	-	-
ERBD-404P	110	400	0.9	23	100	-	-	-	-	-	-
	110	500	0.7	19	100						
ERBS-404P	110	400	0.9	23	100	450	44.1	6.5	0.637	3	1.25
	110	500	0.7	19	100	300	29.4	4.0	0.392		
ERBD-500	127	500	0.5	20	55	-	-	-	-	-	2.20
ERBS-500	127	50	0.5	20	55	800	78.4	12.0	1.18	3	2.30
ERDBS-500	127	50	0.5	20	55						4.40
ERBD-501A	110	50	1.2	25	55	-	-	-	-	-	3.85
ERBD-501B	110	50	1.2	25	150						
ERBS-501A	110	50	1.2	25	49	180	176	32.0	3.14	3	4.10
ERBS-501B	110	50	1.2	25	150	0					
ERBD-404A-2	220	50	0.2	11	49	-	-	-	-	-	1.25
ERBD-404B-2	220	50	0.2	11	150	-	-	-	-	-	
ERBS-404A-2	220	50	0.2	11	49	240	23.5	4.5	0.441	2	1.30
ERBS-404B-2	220	50	0.2	11	150	210	20.6	4.0	0.392		
ERBD-500-1	110	50	0.55	20	55	-	-	-	-	-	2.20
ERBS-500-1	110	50	0.55	20	55	800	78.4	12	1.18	3	2.30
ERDBS-500-1	110	50	0.55	20	55						4.40
ERBD-500-2	220	50	0.25	20	55	-	-	-	-	-	2.20
ERBS-500-2	220	50	0.25	20	55	800	78.4	12	1.18	3	2.30
ERDBS-500-2	220	50	0.25	20	55						4.40
ERBD-404A6	110	60	0.35	11	49	-	-	-	-	-	1.25
ERBS-404A6	110	60	0.35	11	49	-	-	4.0	0.392	2	1.30

ERBD-404A ERBD-404B ERBD-404P ERBD-405



ERBS-404A ERBS-404B ERBS-404P



ERBD-501A ERBD-501B

